

WC101969

## KENNETT ALUMINIUM TRIPLE DOOR TRI-VIEW CABINET



### MATERIAL

Aluminium  
Mirrored Glass Doors

### FINISH / COLOUR

Bright Anodised

### FREQUENTLY USED APPLICATIONS

Commercial Washrooms  
Hotels  
Domestic Dwellings

### FEATURES

- Aluminium cabinet with bevelled edge mirrored doors.
- Nine adjustable toughened glass shelves.
- 165 Degree sprung hinges for increased accessibility.
- Supplied fully assembled for ease of installation.
- Easy to install Hang 'n' Lock system.
- All fixtures and fittings included.

### PERFORMANCE STANDARDS

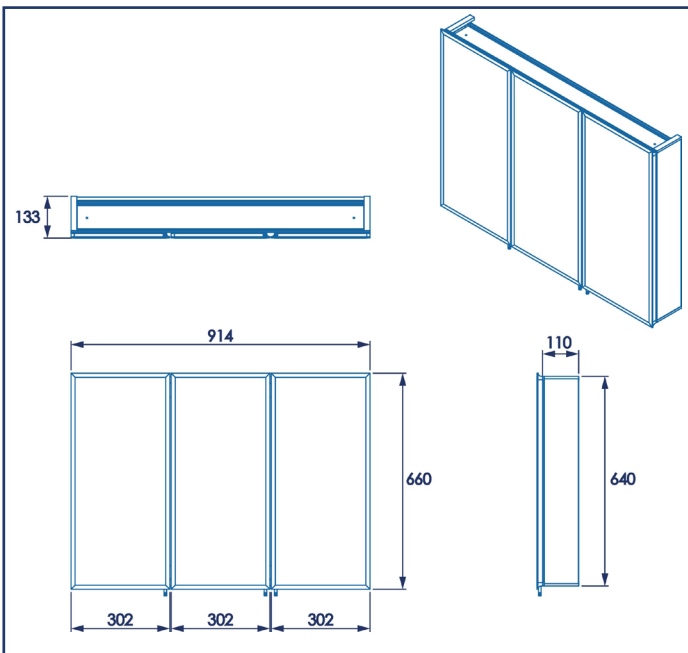
Meets Performance Requirements Of Service Condition 2.  
BS EN ISO 9221:2017 - Corrosion Resistant (NSS 48hr Salt Spray, Min. Grade9).

### CARE AND MAINTENANCE

Clean surfaces with a damp cloth and wipe dry using a soft cloth.  
Do not use chemical or abrasive cleaners as these may damage the surface finish.

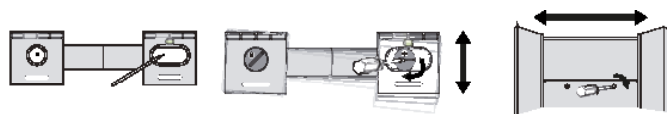
### GUARANTEE

Consumer Statutory Rights Apply



#### HANG 'N' LOCK

Easy Installation Bracket.  
Fully Adjustable.  
One Person Installation.



Printed material, designs and packaging are protected by copyright and design rights.